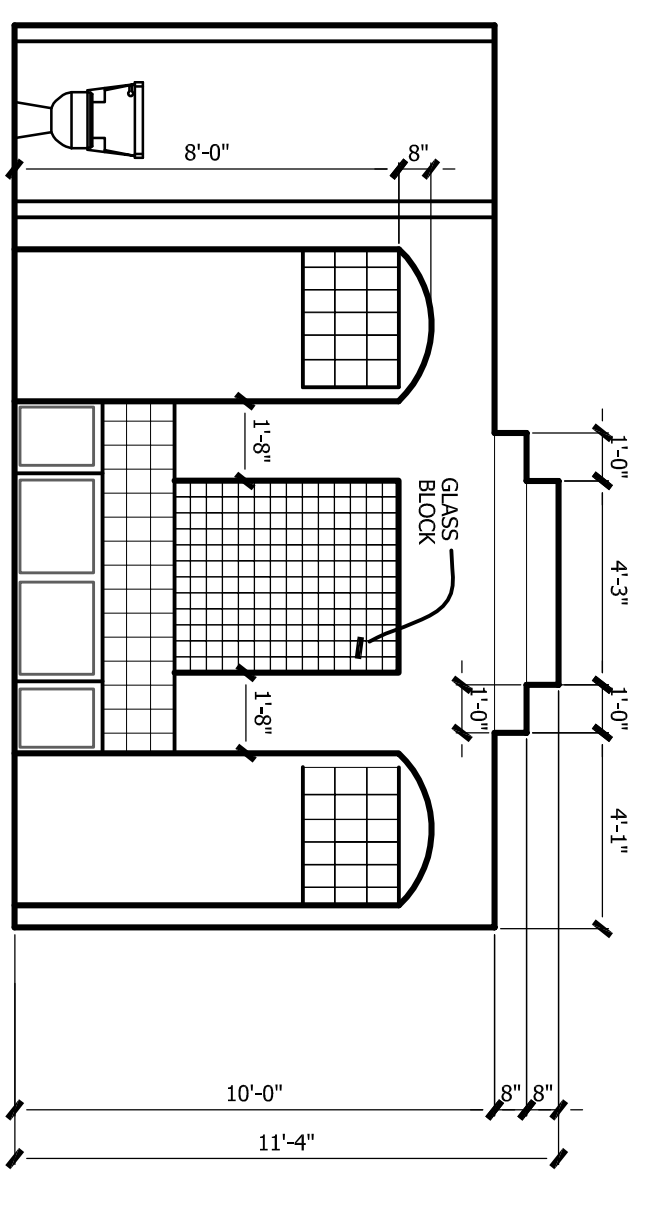


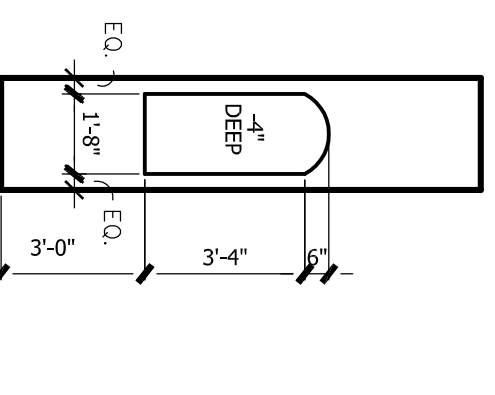
A-A SECTION AT BUILDING

SCALE: 1/4" = 1'-0"



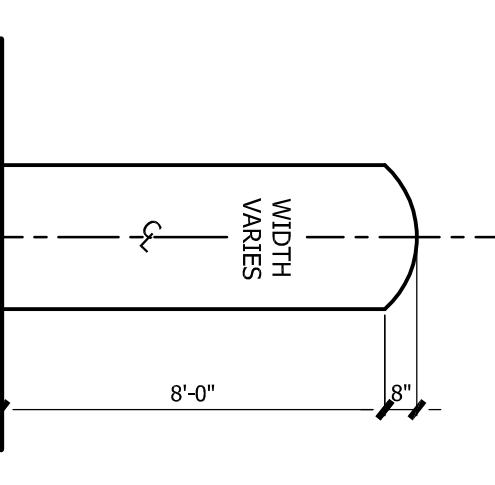
MASTER BATH ELEVATION

SCALE: 1/4" = 1'-0"



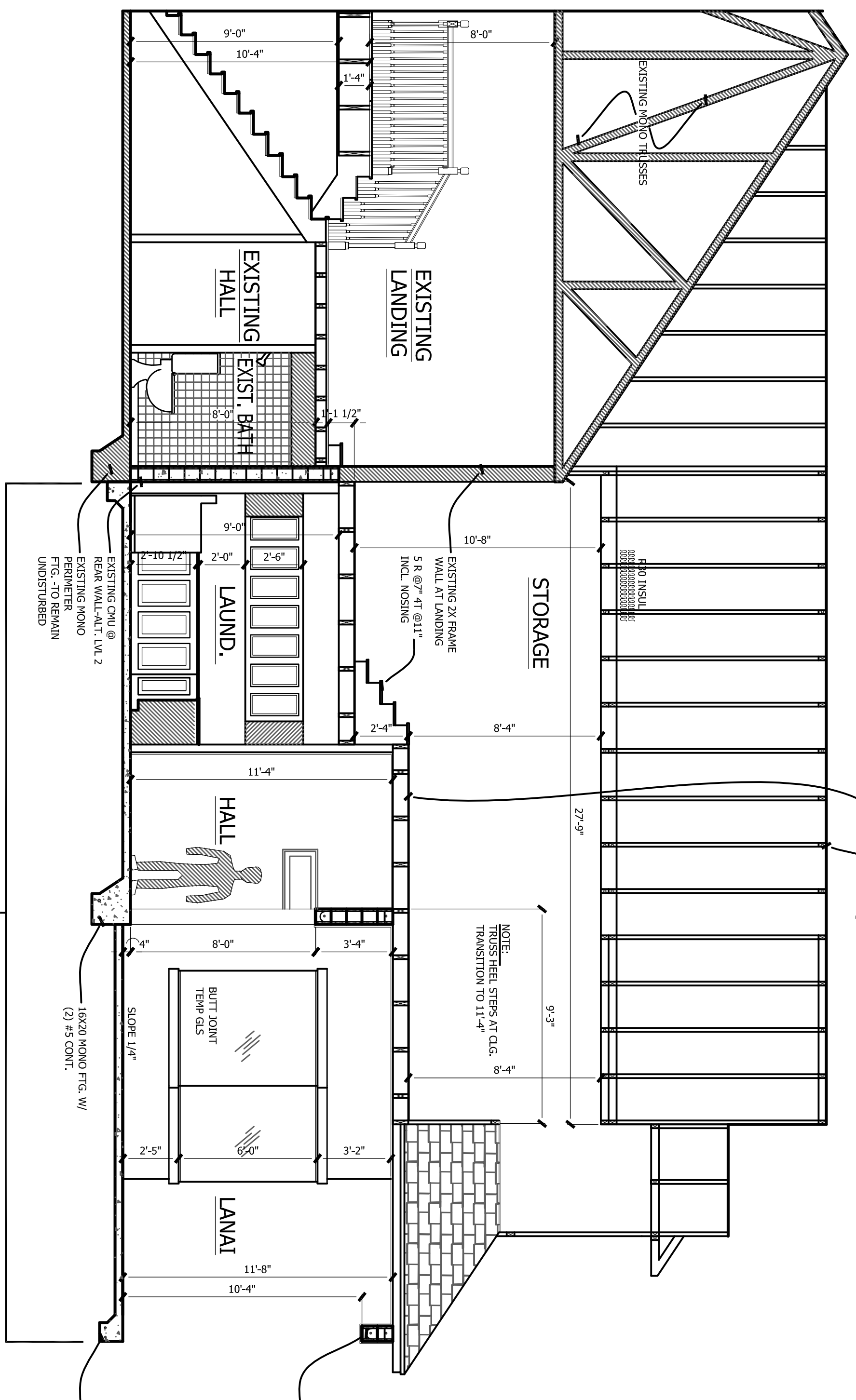
TYP ARCHED NICHE

SCALE: 1/4" = 1'-0"



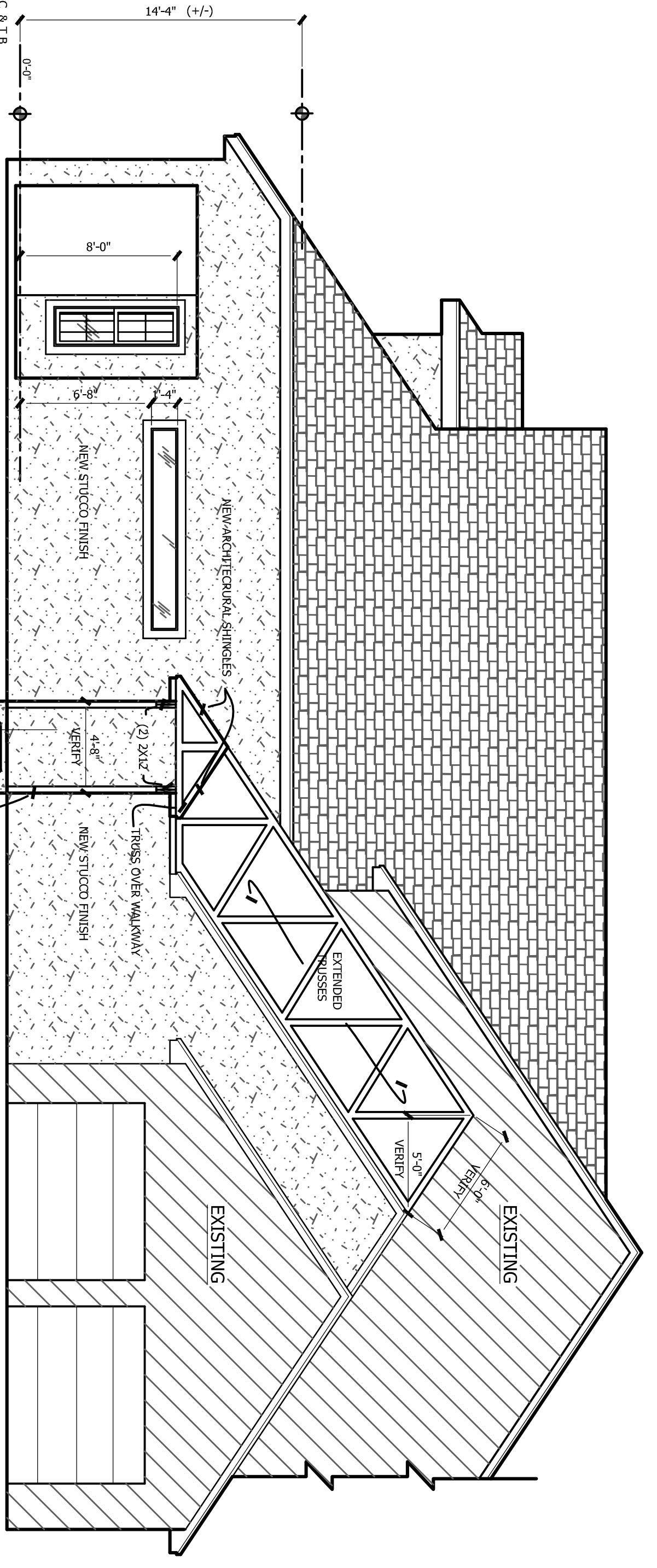
TYP ARCH DOORWAY

SCALE: 1/4" = 1'-0"



B-B SECTION AT BUILDING

SCALE: 1/4" = 1'-0"



C-C SECTION AT BUILDING

SCALE: 1/4" = 1'-0"

**ESIGN**  
 DRAYTON G. LESSARD DESIGN  
 3229A 48th  
 REVISOR

PROJECT:  
 QS-017  
 INTERIOR ELEVATIONS  
 SECTIONS/EXT ELEV

SHEET NUMBER:

6

**A NEW EXPANSION DESIGN**  
 FOR: DAN AND LINDA LEFORGE  
 31025 QUAIL HOLLOW CIRCLE  
 SORRENTO, FL.

**Qsigma**  
 Assoc.

MICHAEL A. THARP, P.E. LIC. No. 58869  
 QSIGMA & ASSOC., INC.  
 3020 ZAHARIAS DR. ORLANDO, FL, 32837  
 (407) 694-4865 FAX: (407) 888-1190

DATE: