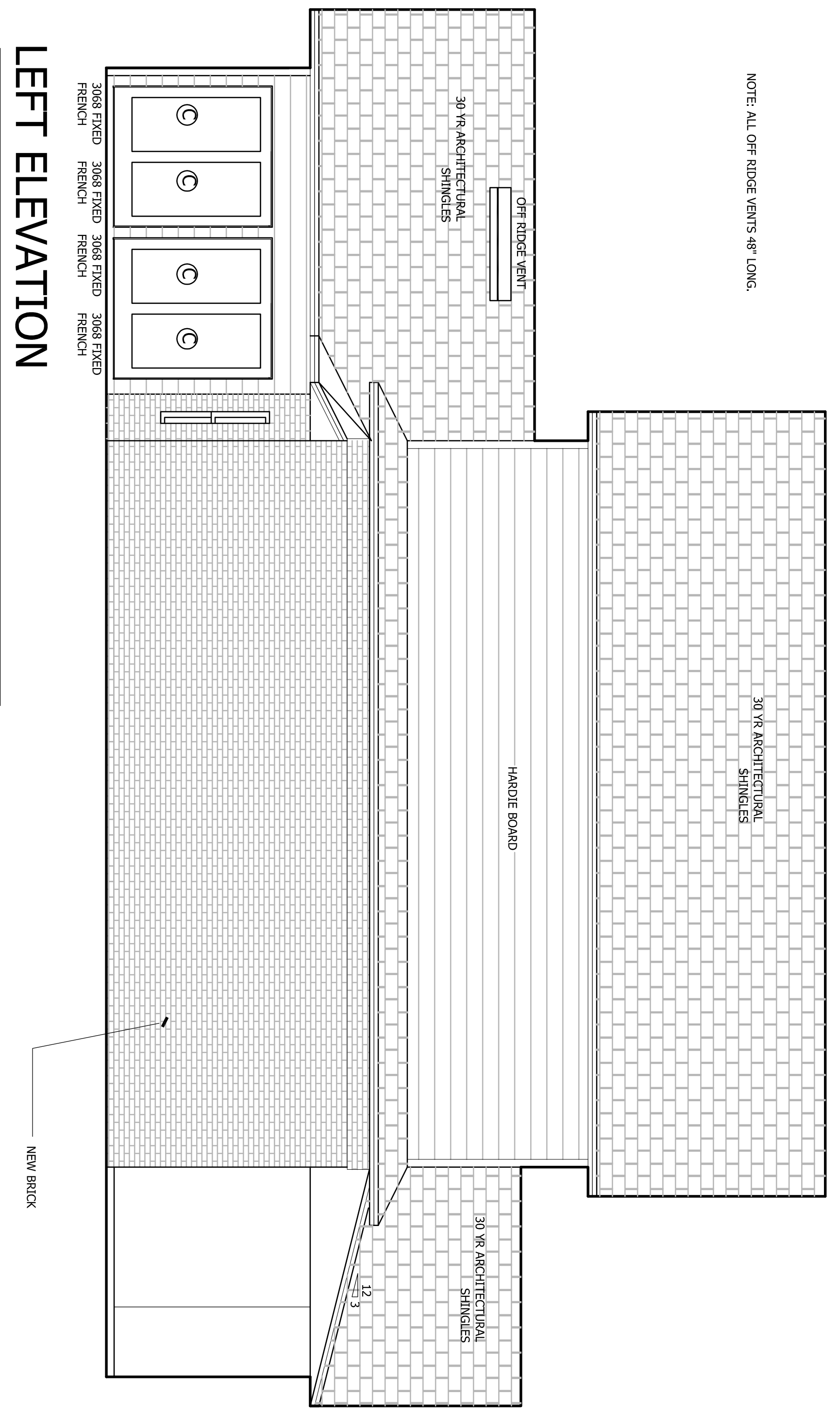


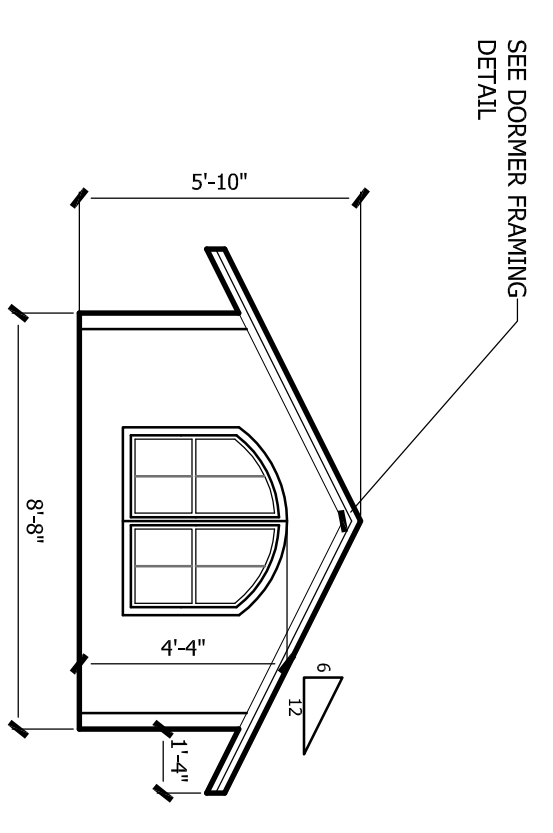
FRONT ELEVATION

SYMBOL DESIGNATES MINIMUM DESIGN PRESSURE VALUE. SEE COMPONENT AND CLADDING DESIGN PRESSURE TABLE COVER SHEET

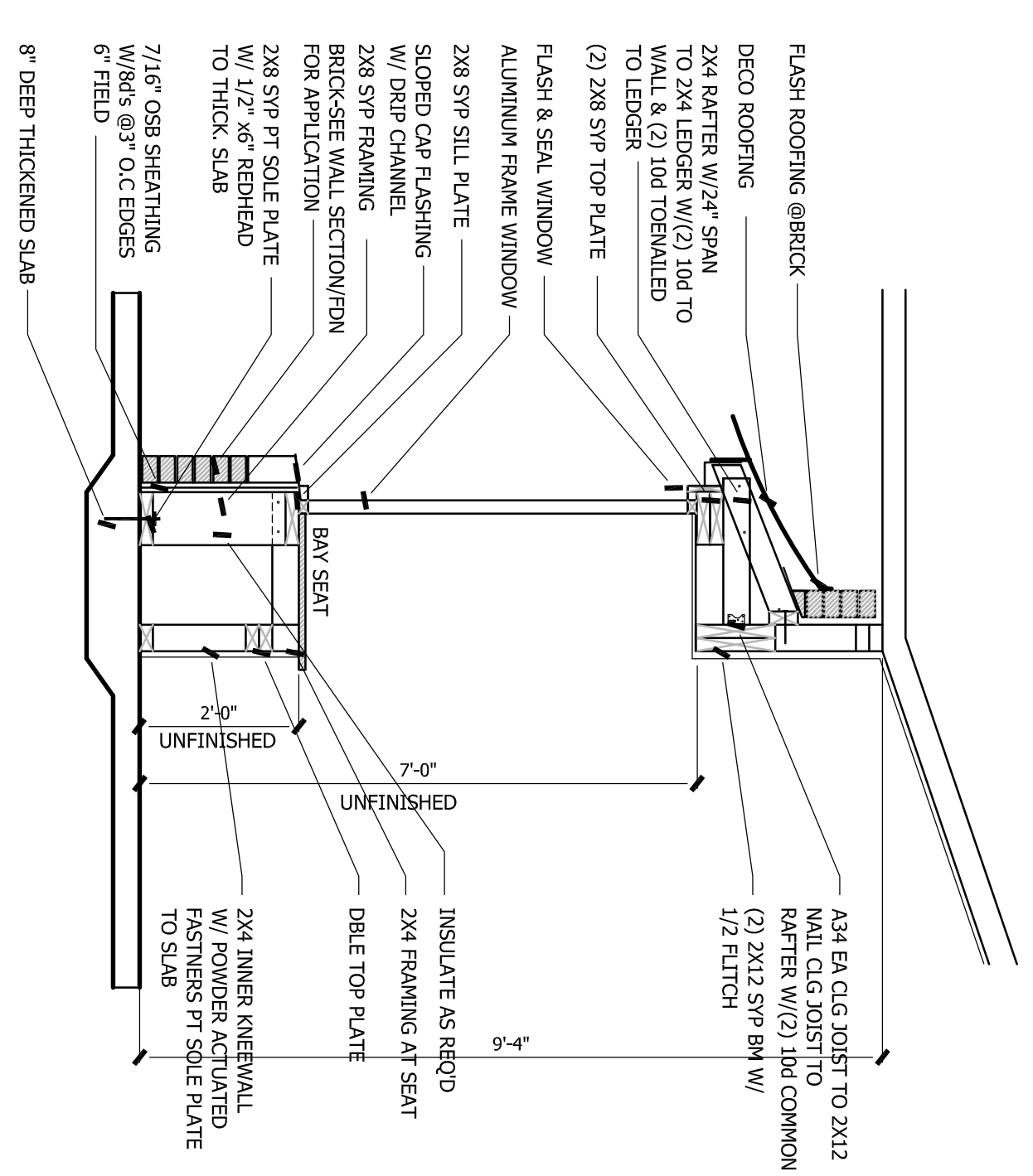
NOTE: ALL OFF RIDGE VENTS 48" LONG.



LEFT ELEVATION



DORMER DETAIL



BAY WINDOW DETAIL

PROJECT: 0006QS
ELEVATIONS

DATE: 05/16/06
DRAWN: RS
CHECKED: M. THARP, P.E.
REVISIONS:

**RESIDENCE FOR
NEWTON RESIDENCE**
9644 WOODMONT PLACE
WINDERMERE, FL. 34786



MICHAEL A. THARP, P.E., LIC. No. 58869
QSIGMA & ASSOC., INC.
3020 ZAHARIAS DR. ORLANDO, FL. 32837
(407) 694-4865 FAX: (407) 888-1190

DATE:

SHEET NUMBER:

3A